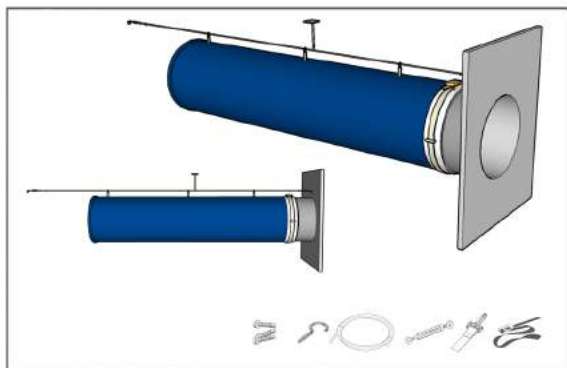


## 1. Verify if accessories are complete in the technical plan

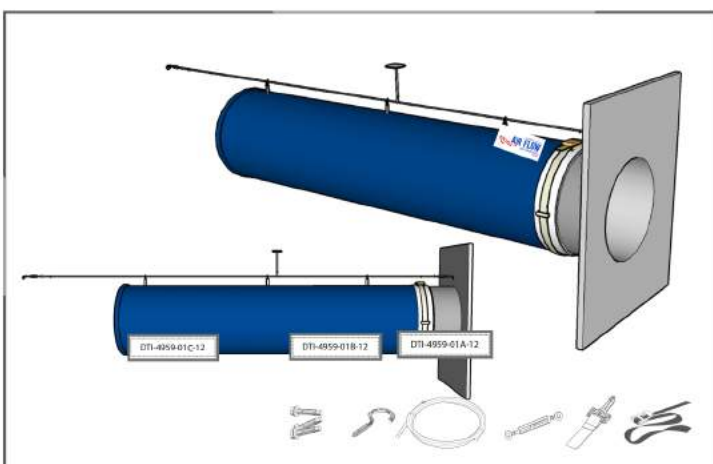
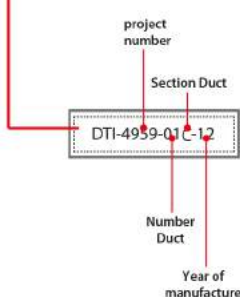


## 2. Identify duct parts based on labels

Tag DTI

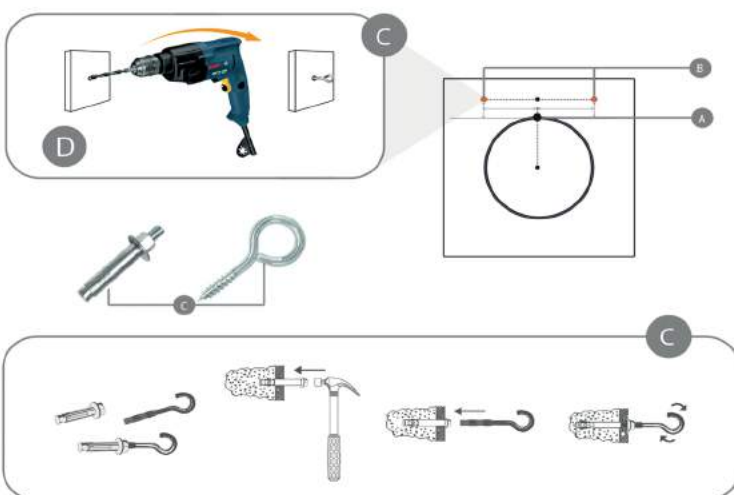


Identification label

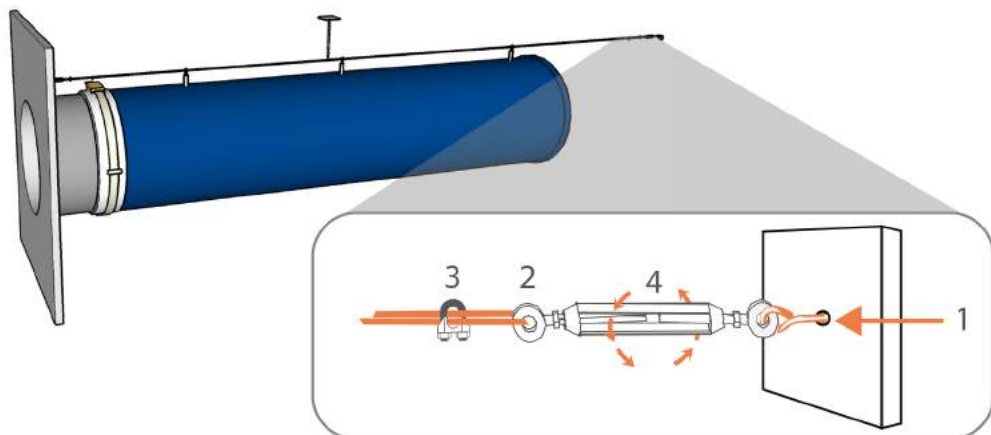


## 3. Install by following these steps

- A) Draw an imaginary line in the center of the top part of the metal mouth.
- B) From there measure the distance equivalent to the radius of the duct and put a mark where the anchors will be place.
- Do the same for the installation of the second cable.
- C) Drill to place anchors with hammer and screw in the eye bolt or the preferred clamp
- D) Repeat for cable fixing at the opposite end. (end of the duct).

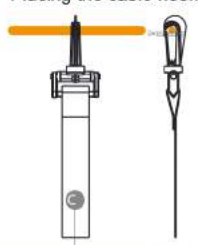


## 4. Cable Tension with Turnbuckle



## 5. Duct Mounting

Placing the cable hook



Union of parts by Zipper

